



TIFFIN PARTS



Cummins DEF Tanks

Tiffin Parts is now offering the following Cummins DEF Tank Assemblies. These tanks come complete, with Tank, Cap, Header, Filter and miscellaneous parts. For more detailed information, please see the table below.

**Cummins DEF Tank Assembly
PN 4387131 / Tiffin PN 535-07283**

Description	Qty
Drain Plug	1
Housing, Liquid Filter	1
Bolt	6
Ring, Retainer	1
Valve, Air Vent	1
Grommet	1
Ring, Retainer	1
Washer	1
Clip, Retaining	1
Ring, Centering	1
Cap, Filler	1
Header, Diesel Exhaust Fluid Tank	1
Filter, Diesel Exhaust Fluid	1

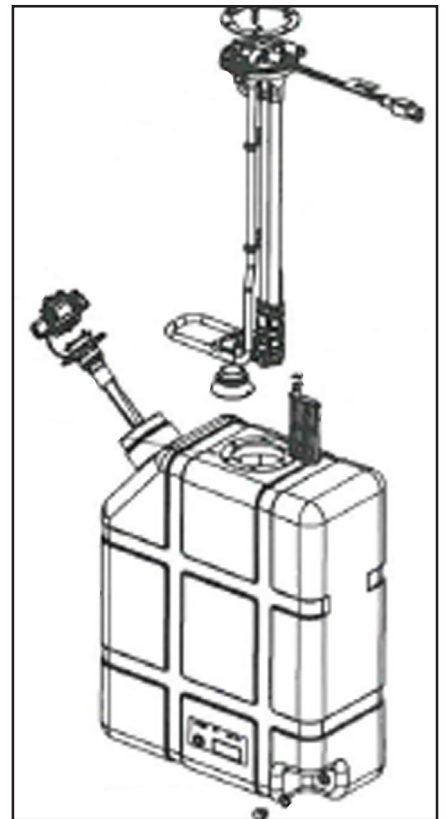
DIMENSIONS

HEIGHT
19.43" / 493.6mm

LENGTH
23.25" / 590.8mm

WIDTH
8" / 203.2mm

SELL PRICE
\$1,650



Cummins DEF Tanks (cont.)

Cummins DEF Tank Assembly PN 4387128 / Tiffin PN 535- 07172

Description	Qty
Drain Plug	1
Housing, Liquid Filter	1
Bolt	6
Ring, Retainer	1
Valve, Air Vent	1
Grommet	1
Ring, Retainer	1
Washer	1
Clip, Retaining	1
Ring, Centering	1
Cap, Filler	1
Header, Diesel Exhaust Fluid Tank	1
Filter, Diesel Exhaust Fluid	1

DIMENSIONS

HEIGHT

23.2" / 589.3 mm

LENGTH

19.37" / 491.9 mm

WIDTH

8" / 203.2 mm

SELL PRICE

\$1,650

