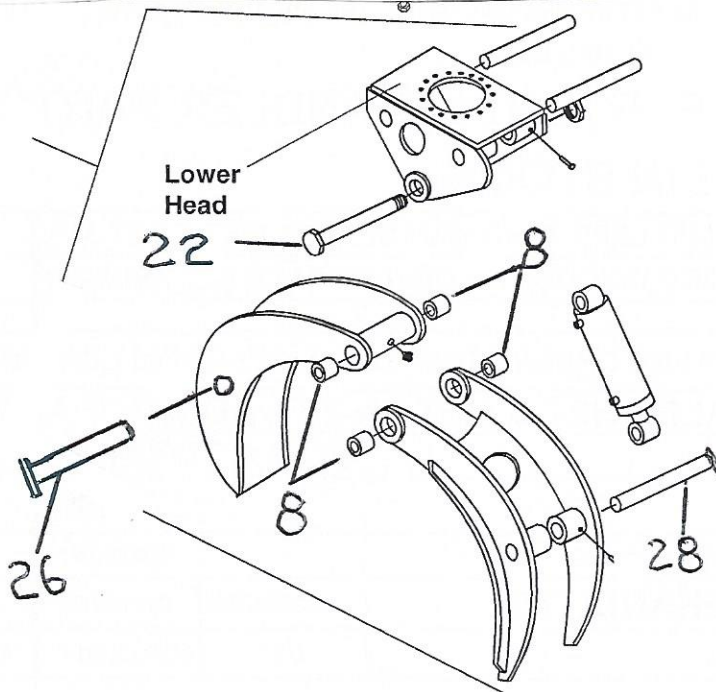
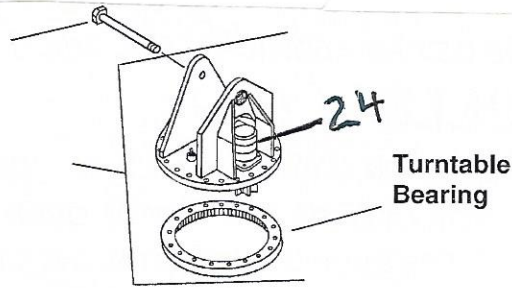


3/2/16

Tigercat® Log Grapple Model: LG4053, LG4053 High Speed, LG5057

Parts listed are in stock at Tiffin Parts, LLC

Available parts are interchangeable with Tigercat® parts.



80

ITEM NO.	PART NO.	DESCRIPTION	QTY.	
8	10369A	BUSHING (FITS ALL GRAPPLES)	6	Two on Item 22 not shown on illustration.
24	AQ100*	ROTOR MOTOR (NO WARRANTY)	1	
26	1381B08	PIN, 2" OD X 8 1/2"	1	**Fits LG4053HP1030 to LG4053HP1032
	1381B08	PIN, 2" OD X 8 1/2"	1	**Fits LG40530101 to LG40530346
	1381B08	PIN, 2" OD X 8 1/2"	1	**Fits LG4053HP1001 to LG4053HP1029
28	1381B10	PIN, 2" OD X 15 1/2"	1	**Fits LG4053HP1030 to LG4053HP1032
	1381B10	PIN, 2" OD X 15 1/2"	1	**Fits LG40530101 to LG40530346
	1381B10	***Measure Pin length for correct size	1	**Fits LG40530347 to LG40530937
	1381B10	***Measure Pin length for correct size	1	**Fits LG40530938 to LG40533000
	1381B10	PIN, 2" OD X 15 1/2"	1	**Fits LG4053HP1001 to LG4053HP1029

*Tiffin Parts uses Rotor Motor Part Number: AQ100 as an interchangeable part to replace AQ059 and AQ132 Rotor Motors.

** The last four digits are the serial number.

*** Some pins maybe 2" OD X 14 1/2" in length in this serial number range.

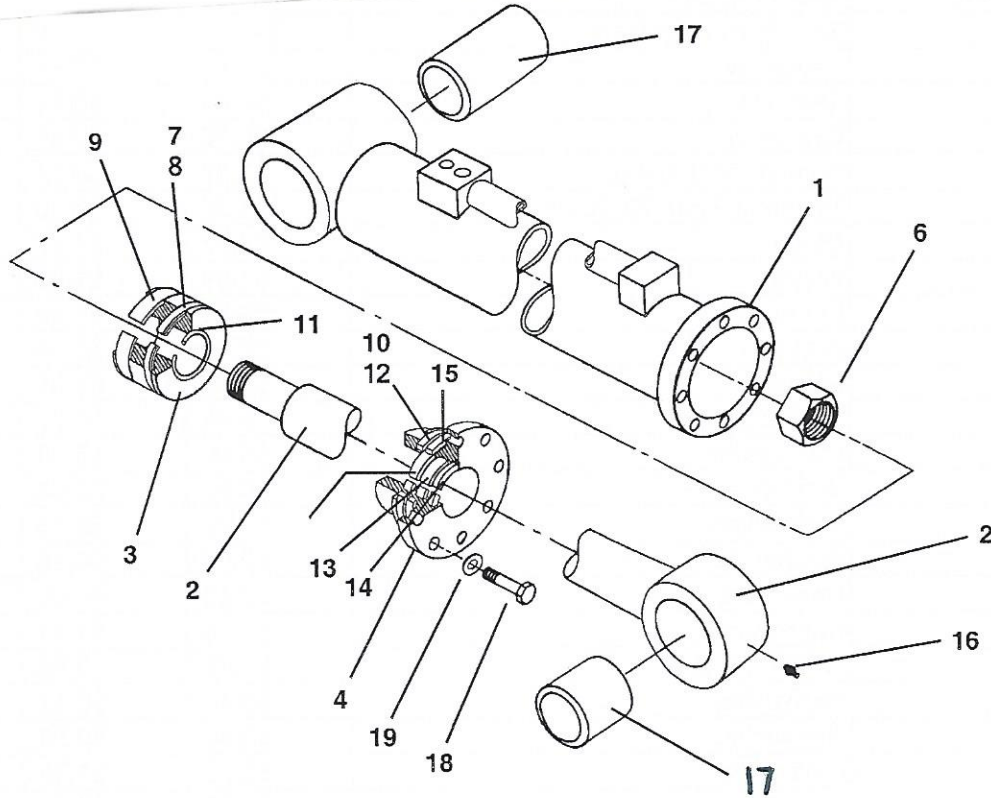
3/2/16

Tigercat® Log Grapple Model: LG4053, LG4053 High Speed, LG5057

Grapple Cylinder P/N: 18332B, 46556B

Parts listed are in stock at Tiffin Parts, LLC

Available parts are interchangeable with Tigercat® parts.



132

Grapple Cylinder P/N: 46556B replaces 18332B Cylinder Assy.

ITEM NO.	PART NO.	DESCRIPTION	QTY.	
17	9100A	BUSHING, BRONZE- 2" BORE X 3 7/8"	2	Fits All Grapple Cylinder Assys.
	20894A	SEAL KIT, 4.0" CYLINDER	1	Fits 46556B, 18332B, 4.0" Cylinder Assy.

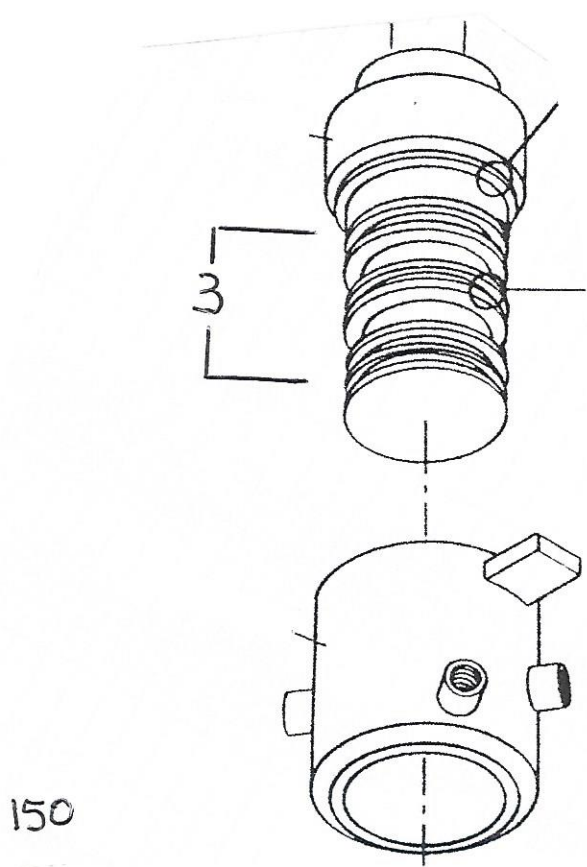
3/2/16

Tigercat® Log Grapple Model: LG4053, LG4053 High Speed, LG5057

Grapple Rotary Manifold P/N: 17609B, 10459B, 7374B

Parts listed are in stock at Tiffin Parts, LLC

Available parts are interchangeable with Tigercat® parts.



Rotary Manifold Assy P/N: 17609B replaces 7374B and 10459B Rotary Manifolds.

ITEM NO.	PART NO.	DESCRIPTION	QTY.	
3	10612A	Seal Kit, Rotary Manifold Grapple	1	Fits 17609B, 7374B, 10459B Rotary Manifolds.