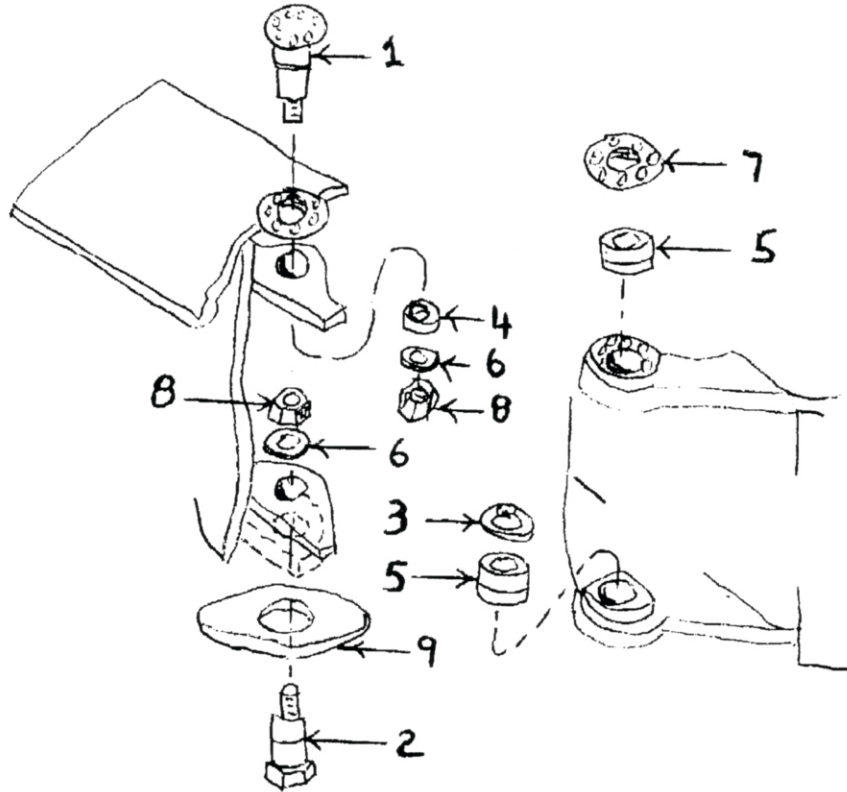


# Hydro-Ax Center Pin Parts

E and EX Model Series S/N 7586 and Before

Parts interchangeable with Hydro-Ax® parts.



- |    |            |                       |
|----|------------|-----------------------|
| 1. | HY10010155 | Pin, Center Upper     |
| 2. | HY10010222 | Pin, Center Lower     |
| 3. | HY8853988  | Snap Ring             |
| 4. | HY10010008 | Spacer                |
| 5. | HY10010588 | Bearing, SA           |
| 6. | HY8359763  | Washer, Flat Hardened |
| 7. | HY10010016 | Retainer, Bearing     |
| 8. | HY8359413  | Nut, Nylock Thin      |
| 9. | HY10019370 | Lock, Pin             |